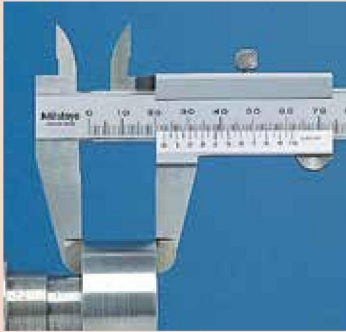


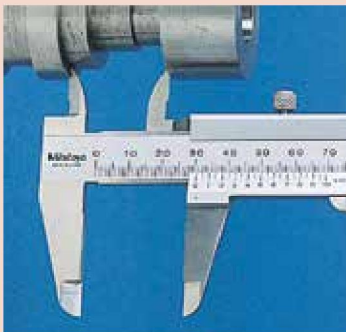
Vernier Caliper

SERIES 532 — with Fine Adjustment

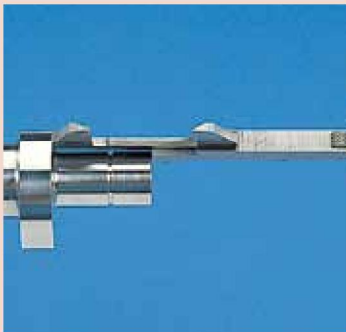
“Quadri” (4 way) Measurement Measurement Applications



OD measurement



ID measurement



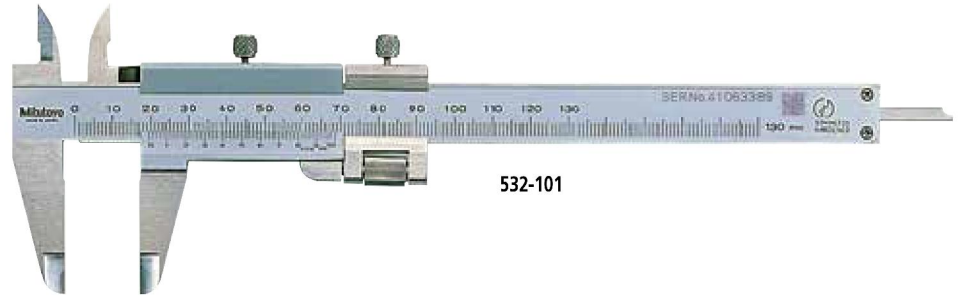
Step measurement



Depth measurement

FEATURES

- Provided with a fine-adjustment carriage to feed the slider finely.
- Can measure OD, ID, depth, and steps.
- Supplied with vinyl holster in fitted carton.



532-101

SPECIFICATIONS

Metric			
Range	Order No.	Accuracy	Graduation
0 - 130mm	532-101	±0.03mm	0.02mm
0 - 180mm	532-102	±0.03mm	0.02mm
0 - 280mm	532-103	±0.04mm	0.02mm

Metric/Inch with metric/inch dual scale

Range	Order No.	Accuracy	Graduation	
			Lower Scale	Upper Scale
0 - 130mm / 0 - 5"	532-119	±0.03mm	0.02mm	.001"
0 - 180mm / 0 - 7"	532-120	±0.03mm	0.02mm	.001"
0 - 280mm / 0 - 11"	532-121	±0.04mm	0.02mm	.001"

DIMENSIONS AND MASS

